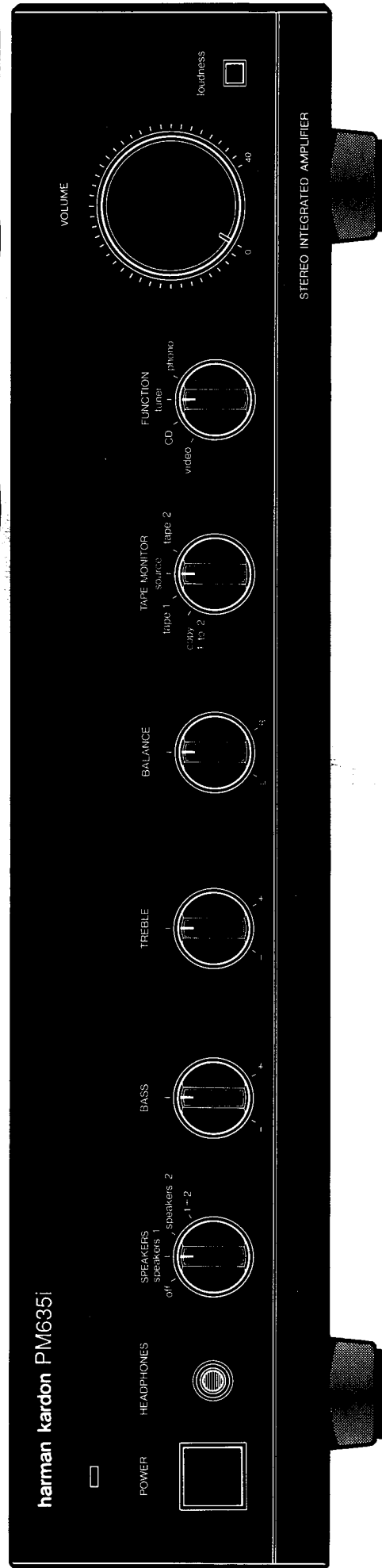


*Stereo Integrated  
Amplifier*

*Instruction Manual  
Manuel d'utilisation  
Bedienungsanleitung  
Manuale di istruzioni  
Bruksanvisning  
Gebruiksaanwijzing*

# PM635i

harman/kardon



# SPECIFICATIONS

Congratulations on your purchase of the Harman Kardon PM635i Stereo Integrated Amplifier.

In order to appreciate the full performance of this sophisticated unit, please be sure to read this owner's manual and use your integrated amplifier only in accordance with its instructions. Keep it in a safe place for future reference.

|  |  |
|--|--|
| Continuous Average Power                               |  |
| FTC, both channels driven, 20–20,000Hz                 | : 30 Watts per channel @ less than 0.09% THD into 8 Ohms |
| DIN, 1kHz  | : 48 Watts per channel @ less than 1% THD into 4 Ohms    |
| HCC (High instantaneous Current Capability)            | : ±15 Amps   |
| Power Bandwidth (at half rated output, 8 Ohms)         | : <10Hz to 100,000Hz                                     |
| Frequency Response (at 1 Watt output, +0, -3dB)        | : 0.5Hz to 150,000Hz                                     |
| Damping Factor   | : 60dB   |
| Signal-to-Noise Ratio (ref. rated power output, A-wtd) |  |
| Phono (MM)   | : 80dB   |
| Tuner, CD, Video                                       | : 98dB   |
| Input Sensitivity/Impedance                            |  |
| Phono (MM)   | : 2.2mV/47k Ohms, 125pF                                  |
| Tuner, CD, Video                                       | : 135mV/22k Ohms   |
| Phono Overload (MM)                                    | : 110mV  |
| Tone Control Characteristics                           |  |
| Bass Boost/Cut (at 50Hz)                               | : +10dB/-10dB  |
| Treble Boost/Cut (at 10kHz)                            | : +10dB/-10dB  |
| Dimensions (W x H x D)                                 | : 443 x 103 x 353 mm (17-1/2" x 4" x 13-15/16")          |
| Weight   | : 6.4kg (14.1lbs.)                                       |
| Power Supply   |  |
| General model  | : AC 220V/240V, 50/60Hz                                  |
| Canada model   | : AC 120V, 60Hz  |
| Power Consumption                                      |  |
| General model  | : 190W   |
| Canada model   | : 220W, 242VA  |

All specifications and features subject to change without notice.

## FOR CUSTOMERS IN THE UK

Your unit is supplied with the flex which will have either two or three wires, so the following items should be observed to guarantee safety:

### THREE CORE FLEX

**WARNING: THIS APPARATUS MUST BE EARTHED.**

**IMPORTANT.** The wires in this mains lead are coloured in accordance with the following code:

|                  |           |
|------------------|-----------|
| Green-and-yellow | : Earth   |
| Blue             | : Neutral |
| Brown            | : Live    |

As the colours of the wires in the mains lead of this apparatus may not correspond with the coloured markings identifying the terminals in your plug, proceed as follows:

The wire which is coloured green-and-yellow must be connected to the terminal in the plug which is marked by the letter E or by the safety earth symbol  $\equiv$  or coloured green or green-and-yellow.

The wire which is coloured blue must be connected to the terminal which is marked with the letter N or coloured black.

The wire which is coloured brown must be connected to the terminal which is marked with the letter L or coloured red.

### TWO CORE FLEX

**IMPORTANT.** The wires in this mains lead are coloured in accordance with the following code:

|       |           |
|-------|-----------|
| Blue  | : Neutral |
| Brown | : Live    |

As the colours of the wires in the mains lead of this apparatus may not correspond with the coloured markings identifying the terminals in your plug, proceed as follows:

The wire which is coloured blue must be connected to the terminal which is marked with the letter N or coloured black.

The wire which is coloured brown must be connected to the terminal which is marked with the letter L or coloured red.

## FOR CUSTOMERS IN CANADA

The AC plug is a polarized plug, so the following item should be taken into consideration.

**CAUTION:** TO PREVENT ELECTRIC SHOCK, DO NOT USE THIS (POLARIZED) PLUG WITH AN EXTENSION CORD, RECEPTACLE OR OTHER OUTLET UNLESS THE BLADES CAN BE FULLY INSERTED TO PREVENT BLADE EXPOSURE.



**CAUTION**  
RISK OF ELECTRIC SHOCK  
DO NOT OPEN



**CAUTION:** TO REDUCE THE RISK OF ELECTRIC SHOCK, DO NOT REMOVE COVER (OR BACK). NO USER SERVICEABLE PARTS INSIDE. REFER SERVICING TO QUALIFIED SERVICE PERSONNEL.



The lightning flash with arrowhead symbol, within an equilateral triangle, is intended to alert the user to the presence of uninsulated "dangerous voltage" within the product's enclosure that may be of sufficient magnitude to constitute a risk of electric shock to persons.



The exclamation point within an equilateral triangle is intended to alert the user to the presence of important operating and maintenance (servicing) instructions in the literature accompanying the appliance.

**WARNING:** TO REDUCE THE RISK OF FIRE OR ELECTRIC SHOCK, DO NOT EXPOSE THIS APPLIANCE TO RAIN OR MOISTURE.

### ■ HCC (High-instantaneous Current Capability)

Recent studies have shown that while reproducing dynamic music signals the instantaneous impedances of nearly all loud-speakers drop to less than one third of the nominal ratings. These low instantaneous impedances typically require 3 to 6 times more current than an 8 Ohm resistive load. Reduced dynamic range and increased distortion will result if the amplifier cannot provide these higher currents. For this reason, the PM635i was designed to provide 15 amperes of instantaneous current.

### ■ Ultrawide Bandwidth

The bandwidth of this unit is exceptionally wide and independent of negative feedback. This improves transient accuracy and phase linearity.

### ■ Low Negative Feedback

This unit has been designed to have low distortion and wide bandwidth without high negative feedback. This further improves its dynamic accuracy.

### ■ Discrete Component Circuitry

In order to achieve the above goals, all discrete electronic circuitry has been employed. All available integrated circuits could not provide this high level of performance.

### ■ Sophisticated Electronic Protection

Harman Kardon engineers developed a unique protection system that permits high instantaneous current to be driven into speaker systems but protects the amplifier from short-circuited or damaged speakers and wires. This protection system in no way limits amplifier output voltage or current during music reproduction, and therefore has no negative effect on sound quality.

### Always Use the Correct AC Voltage

Always connect the power cord to a domestic mains outlet. Never connect the unit to an outlet supplying a higher voltage. This may create a fire hazard.

#### NOTE FOR CUSTOMERS OTHER THAN CANADA

This unit is supplied with a voltage selector enabling selection between 220V and 240V on the rear panel. If the selector is not set to the local voltage, set the selector to the correct voltage with a screwdriver before connecting the power cord to a mains outlet.

### Handle the Power Cord Gently

- Do not disconnect the plug from the AC outlet by pulling the cord; always pull the plug itself. Pulling the cord may break the wire.
- If your unit will be left unused for any considerable length of time, disconnect the plug from the AC outlet.
- Do not place furniture or other heavy objects on the cord, and avoid dropping heavy objects on it. Also do not make a knot in the power cord. Not only may the cord be damaged, it can also cause a short circuit and a consequent fire hazard.

### Place of Installation

Place your unit on a firm and level surface. Avoid installing your unit under the following conditions:

- ▶ Moist or humid places.
- ▶ Places exposed to direct sunlight or close to heating equipment.
- ▶ Extremely cold locations such as those in the direct draft from an air conditioner.
- ▶ Places subject to excessive vibration or dust.
- ▶ Poorly ventilated places.

Do not cover the ventilation slots on the top of the unit. This will cause the temperature inside the unit to rise, which can eventually affect the reliability of your unit.

### Moving the Unit

Before moving the unit, be sure to unplug the power cord from the AC outlet and disconnect the interconnection cords to other units.

### Do Not Open the Cabinet

To prevent fire or shock hazard, do not tamper with internal components for inspection or maintenance. Harman Kardon does not guarantee against performance degradation resulting from any modification.

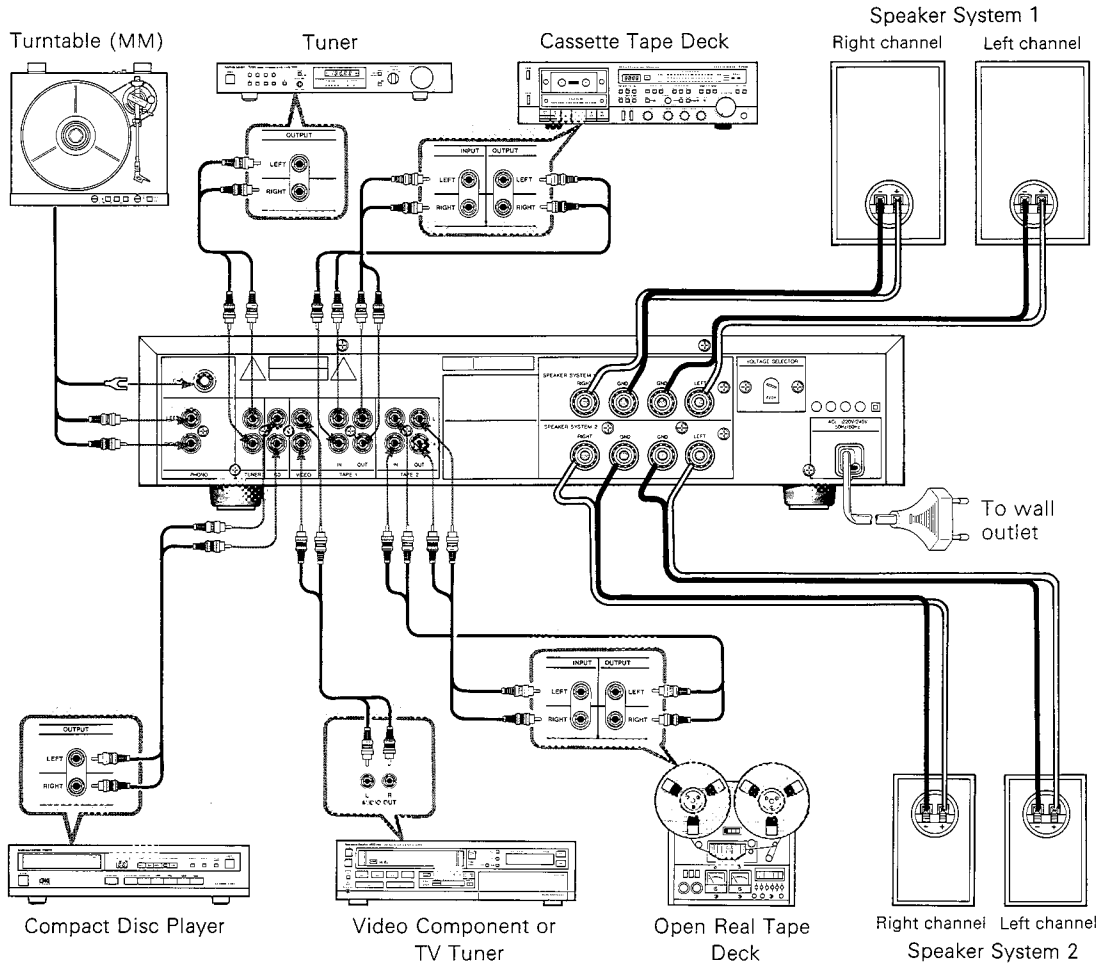
If water, a hairpin or wire accidentally enters the unit, immediately unplug the power cord from the AC outlet to prevent shock and consult an authorized Harman Kardon service station. If you use the unit under this condition, it may cause a fire or shock hazard.

### Cleaning

When the unit gets dirty, wipe it with a soft dry cloth. If necessary, wipe it with a soft cloth dampened with mild soapy water and then wipe with a dry cloth.

Never use benzine, thinner, alcohol or other volatile agents, and avoid spraying an insecticide near the unit.

# CONNECTIONS



## Connecting Other Components

Carefully connect the plugs to the left and right channel jacks. Push the plugs in all the way. Poor setting of the plugs tends to cause hum or intermittent sound and may damage the speakers.

**NOTE:** While you are connecting this unit to the rest of your high fidelity system, please unplug the power cord, disconnecting not only this unit but all the components, from the AC outlet.

Do not interwind the connection wires with the power cord. If interwound, the sound quality may be degraded.

## AC Convenience Receptacles

This unit is provided with two AC convenience receptacles on the rear panel for supplying power to a tuner, turntable, tape deck or other low power component. The receptacles have a power capacity of 180 watts each. Check the component's owner's manual to find its power requirement.

**SWITCHED:** The power to this receptacle is turned on and off by this unit's power switch.

**UNSWITCHED:** The power to this receptacle is independent of this unit's power switch.

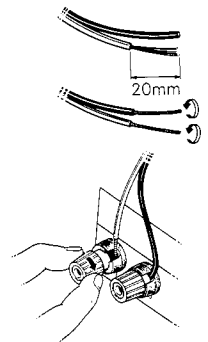
**NOTE:** In some countries, these AC convenience receptacles are not available.

## Connecting Speakers

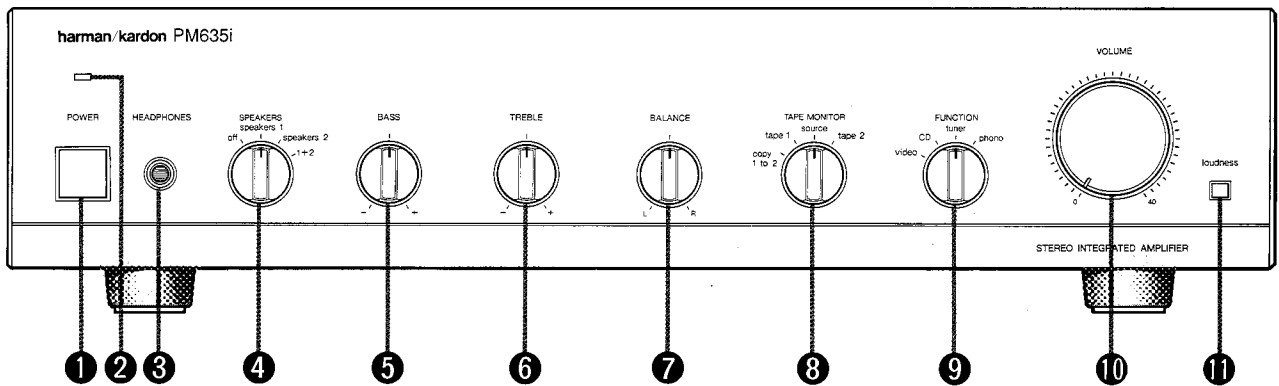
Connect the speaker wires carefully to the speaker terminals on the rear panel so as not to mistake the left and the right channels or reverse the speaker polarities (+ and -).

Use sufficiently thick wire (18 gauge for short lengths, 16–12 gauge for longer lengths). It is recommended to use color-coded wire for easy polarity identification. Speaker wires should be as short as possible, and the left and the right channel wires should be the same length.

1. Remove about 20mm (3/4 inch) of insulation from the end of each wire and twist the strands of each end.
2. After making sure of the correct channel and polarity, loosen the SPEAKER SYSTEM terminal knob and insert the conductor directly into the recess at the upper-right of the terminal. Then tighten the terminal knob, and the end of speaker wire is automatically wound around the terminal.



**CAUTION:** Two speaker systems can be connected to this unit. The minimum speaker impedance should be 4 Ohm when only one speaker system is connected. When two speaker systems are connected, care should be taken that net impedance does not become less than 4 Ohm.



## 1 POWER SWITCH (POWER)

Pressing this switch will turn on the power and the POWER indicator lights up. Press the switch again to turn the power off.

## 2 POWER INDICATOR

When the POWER switch is pressed, this indicator lights up in red.

## 3 HEADPHONE JACK (HEADPHONES)

Stereo headphones with a standard 1/4 inch plug can be connected to this jack. When the SPEAKERS selector is in the "off" position, sound can still be obtained via the headphone jack.

## 4 SPEAKER SELECTOR (SPEAKERS)

This selector is used to select the desired speaker system(s).

- off** : Select this position to listen to sound via the headphone with no sound from the speaker system(s).
- speakers 1** : Select this position to actuate the speaker system connected to the SPEAKER SYSTEM 1 terminal.
- speakers 2** : Select this position to actuate the speaker system connected to the SPEAKER SYSTEM 2 terminal.
- 1 + 2** : Select this position to actuate simultaneously the two speaker systems connected to the SPEAKER SYSTEM 1 and 2 terminals respectively.

## 5 BASS CONTROL KNOB (BASS)

This knob controls the low frequency sound level. Turn it clockwise to boost or counterclockwise to reduce the low frequency sound level.

## 6 TREBLE CONTROL KNOB (TREBLE)

This knob controls the high frequency sound level. Turn it clockwise to boost or counterclockwise to reduce the high frequency sound level.

## 7 BALANCE CONTROL KNOB (BALANCE)

This knob is used to balance the left and the right channels. Usually, it is set at the center. Turn it to the left or right to balance the sound if it seems unbalanced from the speakers or the headphones.

## 8 TAPE MONITOR SELECTOR (TAPE MONITOR)

This selector is used when playing a tape deck, or monitoring during recording.

- copy 1 to 2** : Select this position to duplicate a tape in the tape deck connected to the TAPE 1 jacks onto the tape in the tape deck connected to the TAPE 2 jacks.
- tape 1** : Select this position to play a tape, or to monitor during recording on the tape deck connected to the TAPE 1 jacks.
- source** : Select this position to listen to a program source other than a tape.
- tape 2** : Select this position to play a tape, or to monitor during recording on the tape deck connected to the TAPE 2 jacks.

## 9 FUNCTION SELECTOR (FUNCTION)

This selector is used to select a program source other than a tape.

- video** : Select this position to listen to the sound from a video component connected to the VIDEO jacks.
- CD** : Select this position to listen to the sound from a compact disc player connected to the CD jacks.
- tuner** : Select this position to listen to an FM or AM broadcast from the stereo tuner connected to the TUNER jacks.
- phono** : Select this position to listen to a disc played on the turntable connected to the PHONO jacks.

## 10 VOLUME CONTROL KNOB (VOLUME)

This knob controls the sound level. Turning clockwise increases the sound volume, and turning counterclockwise decreases it. Set this knob at a minimum level before turning the power on or changing the sound source to protect the speakers from being damaged by a sudden high level sound.

## 11 LOUDNESS SWITCH (loudness)

This switch is pressed to create a natural sound quality when listening at a low volume by boosting the low and high frequency ranges.

## Listening to a Record (Disc)

1. Turn the VOLUME control knob to the minimum level and press the POWER switch. The POWER indicator lights up.
2. Set the SPEAKERS selector for the desired speaker system(s).
3. Set the FUNCTION selector to the "phono" position.
4. Set the TAPE MONITOR selector to the "source" position.
5. Activate your turntable and place the stylus on the record (disc).
6. Turn the VOLUME control knob clockwise to increase the sound volume to the desired level.
7. Adjust the BASS and TREBLE control knobs to obtain the desired tone.
8. Activate the BALANCE control knob or LOUDNESS switch if necessary.

**NOTE:** If you hear a hum at average listening levels, turn the POWER switch off and check to see that the phono and the ground connections are secure. Depending on the cartridge type used, less hum may be created without the ground connection.

## Listening to Radio Broadcasts

1. Turn the VOLUME control knob to the minimum level and press the POWER switch. The POWER indicator lights up.
2. Set the SPEAKERS selector for the desired speaker system(s).
3. Set the FUNCTION selector to the "tuner" position.
4. Set the TAPE MONITOR selector to the "source" position.
5. Activate the tuner and tune to broadcast frequency.
6. When the desired station is selected, advance the VOLUME control knob to a comfortable level and adjust the BASS and TREBLE control knobs as desired.
7. Activate the BALANCE control knob or LOUDNESS switch if necessary.

## Listening to a Compact Disc

1. Turn the VOLUME control knob to the minimum level and press the POWER switch. The POWER indicator lights up.
2. Set the SPEAKERS selector for the desired speaker system(s).
3. Set the FUNCTION selector to the "CD" position.
4. Set the TAPE MONITOR selector to the "source" position.
5. Activate the compact disc player and set the player in the play mode.
6. Advance the VOLUME control knob to a comfortable level and adjust the BASS and TREBLE control knobs as desired.
7. Activate the BALANCE control knob or LOUDNESS switch if necessary.

## Listening to the Video/Aux Input Source

To listen to a video component, TV tuner or other auxiliary component:

1. Turn the VOLUME control knob to the minimum level and press the POWER switch. The POWER indicator lights up.
2. Set the SPEAKERS selector for the desired speaker system(s).
3. Set the FUNCTION selector to the "video" position.
4. Set the TAPE MONITOR selector to the "source" position.
5. Activate the component connected to the VIDEO jacks.
6. Advance the VOLUME control knob to a comfortable level and adjust the BASS and TREBLE control knobs as desired.
7. Activate the BALANCE control knob or LOUDNESS switch if necessary.

## Tape Recording

Recording from a program source (FM/AM broadcast, turntable or compact disc player or components connected to the VIDEO jacks) on a tape deck connected to the TAPE 1 and/or TAPE 2 jacks:

1. Turn the VOLUME control knob to the minimum level and press the POWER switch. The POWER indicator lights up.
2. Set the SPEAKERS selector for the desired speaker system(s).
3. Select the desired program source with the FUNCTION selector.
4. Set the TAPE MONITOR selector to the "source" position.
5. Advance the VOLUME control knob to a comfortable level.
6. Start recording by activating the tape deck(s) connected to the TAPE 1 and/or TAPE 2 jacks. The source sound can be listened to from the speakers or headphone.
7. To monitor the sound being recorded, set the TAPE MONITOR selector to the "tape 1" or "tape 2" position according to the tape deck that you wish to monitor.

**NOTE:** The record output signal is carried directly from the program source without being influenced by the volume, balance, bass and treble controls, and loudness switch of this unit.

## Tape Dubbing

Two tape decks can be connected to this unit and dubbing can be done from the tape in the tape deck connected to the TAPE 1 jacks onto the tape in the tape deck connected to the TAPE 2 jacks.

1. Turn the VOLUME control knob to the minimum level and press the POWER switch. The POWER indicator lights up.
2. Set the TAPE MONITOR selector to the "copy 1 to 2" position.
3. After setting the tape deck connected to the TAPE 1 jacks for playback, and the tape deck connected to the TAPE 2 jacks for recording, dubbing will begin.

**NOTE:** You can listen to a program source selected via the FUNCTION selector while dubbing is taken place.

To monitor the sound being recorded, use the headphones connected to the phones jack of tape deck.

## Tape Playback

1. Turn the VOLUME control knob to the minimum level and press the POWER switch. The POWER indicator lights up.
2. Set the SPEAKERS selector for the desired speaker system(s).
3. Set the TAPE MONITOR selector to the "tape 1" or "tape 2" position corresponding to the tape deck to be played.
4. Insert a recorded tape in the tape deck and set the tape deck in the playback mode.
5. Advance the VOLUME control knob to a comfortable level and adjust the BASS and TREBLE control knobs as desired.
6. Activate the BALANCE control knob or LOUDNESS switch if necessary.

# TROUBLESHOOTING CHECKLIST

Most of the problems consumers have with their high fidelity system are due to incorrect operation. If this unit does not operate as you intended, first check the items in the following

checklist. Also check other related components such as the tuner, turntable, speakers and other electrical equipment you use with this amplifier.

| Problem  | Cause   | Remedy   |
|--|---|--|
| The POWER indicator does not light up when the POWER switch is pressed.  | <ul style="list-style-type: none"> <li>• The power cord is not plugged in.</li> </ul>   | <ul style="list-style-type: none"> <li>• Plug in the power cord securely.</li> </ul>   |
| The POWER indicator lights up, but no sound is heard.  | <ul style="list-style-type: none"> <li>• The TAPE MONITOR selector is in the "tape 1" or "tape 2" position.</li> <li>• The FUNCTION selection was not made properly.</li> <li>• The SPEAKERS selector is in the "off" position.</li> <li>• The speaker wires are disconnected or broken.</li> </ul> | <ul style="list-style-type: none"> <li>• Set the TAPE MONITOR selector to the "source" position.</li> <li>• Set the FUNCTION selector to the proper position for the desired program source.</li> <li>• Set the SPEAKERS selector to the position of your desired speaker system(s).</li> <li>• Check the speaker wires and connect them correctly.</li> </ul> |
| Sound is not heard from the speaker system on one side.  | <ul style="list-style-type: none"> <li>• The connection of speaker wires is incorrect or incomplete.</li> <li>• The connection wires to other equipment are disconnected.</li> <li>• The BALANCE control knob is turned to either the extreme right or left position.</li> </ul>                    | <ul style="list-style-type: none"> <li>• Check the speaker wires for disconnection or breaking and reconnect them correctly.</li> <li>• Check the wires for disconnection and connect them correctly.</li> <li>• Set the mark on the BALANCE control knob to the center position.</li> </ul>   |
| When listening to stereo sound, the left and right sounds are reversed.  | <ul style="list-style-type: none"> <li>• The left and right speaker wires are reversed.</li> <li>• The left and right wires connected to other equipment are reversed.</li> </ul>   | <ul style="list-style-type: none"> <li>• Check the speaker wires and connect them correctly.</li> <li>• Check the wires to other equipment and connect them correctly.</li> </ul>  |
| When playing a turntable, a low-pitched noise ("hum" or "buzz") is heard.                                      | <ul style="list-style-type: none"> <li>• The ground wire of the turntable is disconnected.</li> <li>• The connections of the turntable wires are incorrect or incomplete.</li> </ul>  | <ul style="list-style-type: none"> <li>• Make the ground wire connection correctly.</li> <li>• Insert the turntable wires into the PHONO jacks of this unit securely.</li> </ul>   |
| When increasing the volume level while playing a turntable, an undesirable prolonged sound (howling) is heard. | <ul style="list-style-type: none"> <li>• "Howling" is created by the speakers and turntable.</li> <li>• Too much low frequency sound is present.</li> </ul>   | <ul style="list-style-type: none"> <li>• Place the speakers further away from the turntable.</li> <li>• Place the turntable on a more solid surface.</li> <li>• Decrease the setting of the BASS control knob.</li> <li>• Turn off the LOUDNESS switch.</li> </ul>   |
| Sound quality is poor.   | <ul style="list-style-type: none"> <li>• Input components have not been set up correctly.</li> <li>• Tone control is not proper.</li> </ul>   | <ul style="list-style-type: none"> <li>• Check the antenna of the tuner, cartridge of the turntable, or head of the tape deck, etc. and make corrections as needed.</li> <li>• Adjust the BASS and/or TREBLE control knobs to obtain the desired tone.</li> </ul>  |

English

# SPECIFICATIONS

Nous vous félicitons d'avoir choisi l'amplificateur intégré stéréo Harman Kardon PM635i.

Afin d'obtenir de cet appareil sophistiqué un rendement optimal, veuillez lire ce mode d'emploi attentivement et utiliser votre amplificateur conformément aux directives. Conservez soigneusement le mode d'emploi pour toute référence ultérieure.

|   |   |
|---|---|
| Puissance moyenne continue<br>FTC, 20Hz~20kHz<br>par canal              | : 30W par canal<br>@ distorsion harmonique<br>totale inférieure à 0,09%<br>sur 8 $\Omega$ |
| DIN, 1kHz   | : 48W par canal<br>@ distorsion harmonique<br>totale inférieure à 1%<br>sur 4 $\Omega$    |
| Haute capacité en<br>courant instantané (HCC)                           | : $\pm 15A$   |
| Bande passante (à 50%<br>de la puissance sur 8 $\Omega$ )               | : <10Hz to 100kHz   |
| Réponse en fréquence<br>(sortie: 1W +0, -3dB)                           | : 0,5Hz à 150kHz  |
| Facteur d'amortissement   | : 60dB  |
| Rapport signal-bruit:<br>(réf.: puissance de sortie<br>nominale, A-WTD) |   |
| Phono (MM)  | : 80dB  |
| Tuner, CD, Vidéo  | : 98dB  |
| Sensibilité/impédance d'entrée  |   |
| Phono (MM)  | : 2,2mV/47k $\Omega$ , 125pF  |
| Tuner, CD, Vidéo  | : 135mV/22k $\Omega$  |
| Surcharge phono (MM)  | : 110mV   |
| Caractéristiques des<br>commandes de tonalité                           |   |
| Relèvement/Coupure<br>des graves (à 50Hz)                               | : +10dB/-10dB   |
| Relèvement/Coupure<br>des aigus (à 10kHz)                               | : +10dB/-10dB   |
| Dimensions (L x H x P)  | : 443 x 103 x 353 mm<br>(17-1/2 x 4 x 13-15/16 po)  |
| Poids   | : 6,4kg (14,1 livres)   |
| Alimentation  |   |
| Modèle courant  | : Secteur 220/240V,<br>50/60Hz  |
| Pour le Canada  | : Secteur 120V, 60Hz  |
| Consommation  |   |
| Modèle courant  | : 190W  |
| Pour le Canada  | : 220W, 242VA   |

Toutes les spécifications et caractéristiques peuvent être modifiées sans préavis.

## POUR LES CLIENTS CANADIENS

Il convient de bien tenir compte de ce qui suit étant donné que la prise secteur est une prise polarisée.

**ATTENTION:** POUR PREVENIR LES CHOCS ELECTRIQUES NE PAS UTILISER CETTE FICHE POLARISEE AVEC UN PROLONGATEUR, UNE PRISE DE COURANT OU UNE AUTRE SORTIE DE COURANT, SAUF SI LES LAMES PEUVENT ETRE INSEREES A FOND SANS EN LAISSER AUCUNE PARTIE A DECOUVERT.